



RIBBONS & CRAFTS

This document is copyright protected. All content and photographs are the intellectual property of Ribbons and Crafts. The contents are not intended for commercial use. For commercial reproduction of the tutorial or described product as a whole or in parts, please contact: info@ribbonsandcrafts. ©Ribbons and Crafts, 2008.

Suitcase Tags Tutorial.

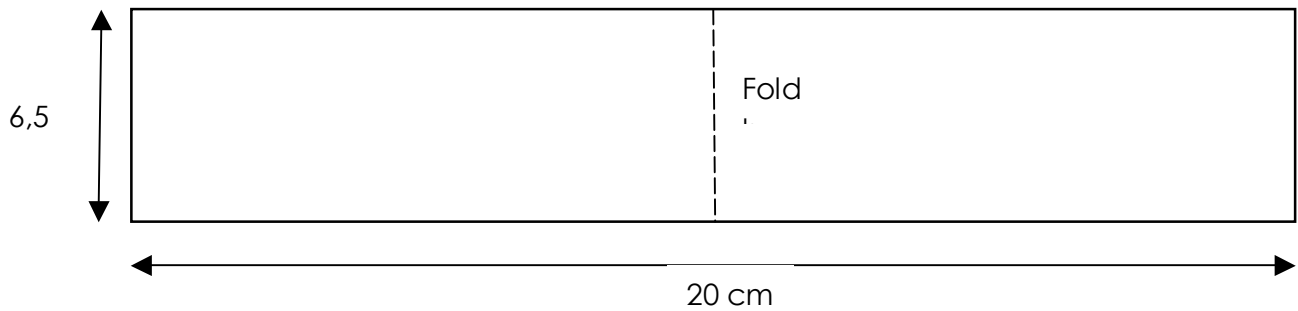


What do you need?

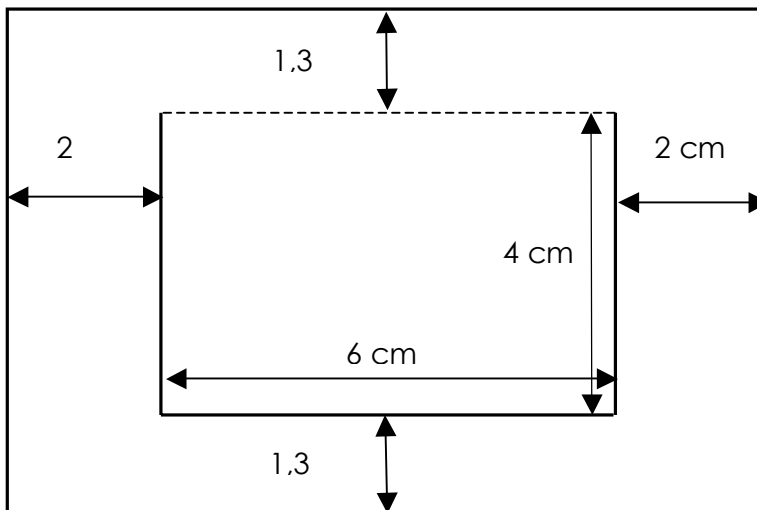
- 16 cm Lime on Turquoise Butterfly Ribbon (Prod Nr. 5-118 COL 2).
- 35 cm Lime on Turquoise Dots (Prod. Nr.5-114 COL 2).
- A piece of 20 x 9 cm matching wool felt (2mm thick).
- A button of choice (approx 1,5 cm).
- Marker pen, scissors, cutter, thread. Optional: pinking scissors.

1. Cut a strip of felt measuring 6,5 cm x 20 cm. Use the pinking scissors in case you want to give the edges a zick-zack finish (as shown on the picture above).

2. Fold the strip in two as shown underneath:



Mark the exact middle and cut the piece in two. Use the pinking scissors if you want the zick-zack edges. Do another check if the pieces fit exactly. Each piece should now measure 6,5cm x 10cm.



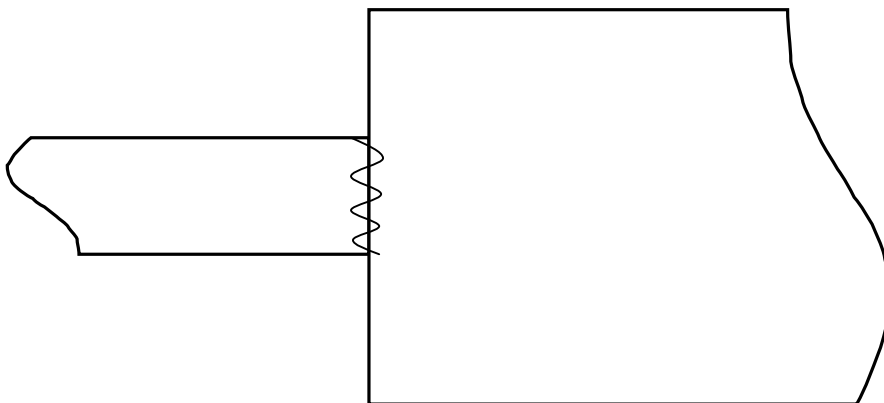
3. Take one of the pieces and mark out the window that will later cover the address tag.

Take a sharp cutter and carefully cut 3 sides of the marked window: left, right and down. Leave the top (dotted line) uncut!

4. Wrap the piece of butterfly ribbon around the latch. Nicely center the butterfly on the front and neatly fold the edges in at the back of the latch as close as possible to the right side. Secure with a pin. See also photo underneath.



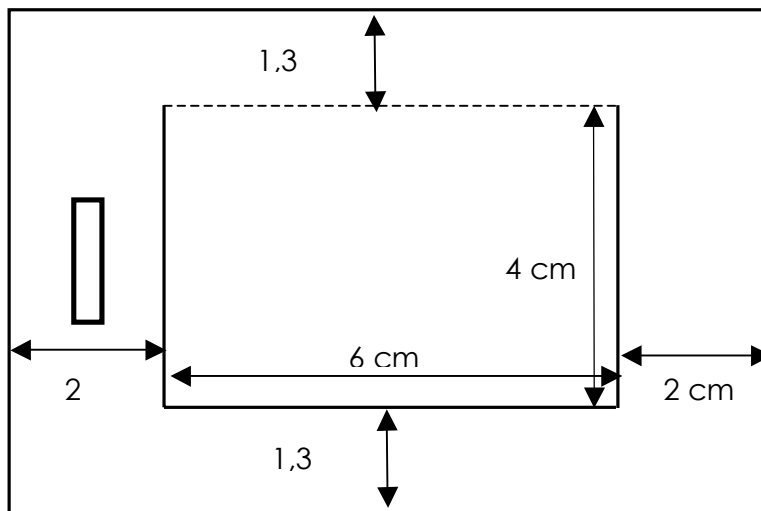
5. Stitch the butterfly ribbon to the latch. Start at the top to avoid the ribbon from moving, and then continue with the other three sides.
6. Take the narrow strip of felt that has been left over: 2cm x 20 cm. Cut along the edges with the pinking scissors if required – be careful not to cut away too much – the strip still needs to stay around 2cm wide. Fit the strip to the (future) back side of the tag (the one without latch), make sure it is centered and secure with a zig-zag.



7. Carefully center and secure the polka dot ribbon along the 2cm wide strip and all along the back side of the tag. Tuck the ends in to avoid fringing. Sew the polka dot ribbon onto the strip and tag.



8. Take the front side with the latch and measure out a button hole on the left side. Sew the button hole.



9. Fit front and back together and sew on three sides, leaving the left side (where the strip and button hole are) open to be able to slide in a card, photo or piece of paper later on.

10. Attach the button to the end of the strip and round the edges of the tag if you prefer rounded edges.

11. You're ready!